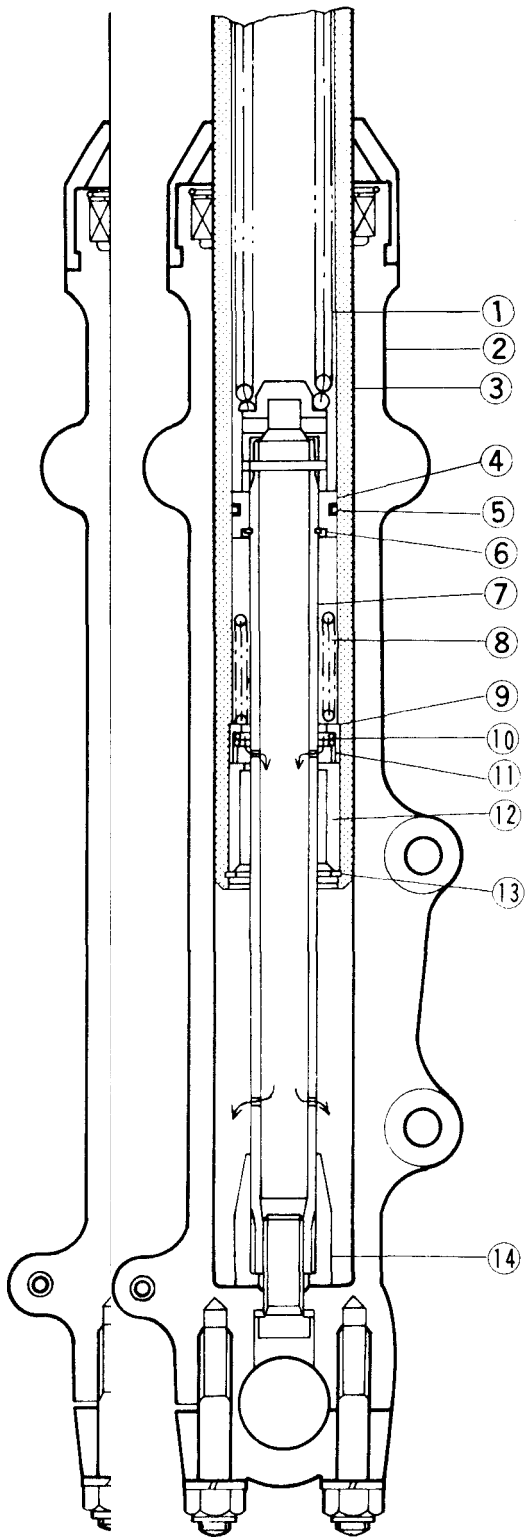


166 MAINTENANCE

Compression Stroke

Extension Stroke



- 1. Spring
- 2. Outer Tube
- 3. Inner Tube
- 4. Piston
- 5. Piston Ring
- 6. Circlip
- 7. Cylinder
- 8. Spring
- 9. Spring Seat
- 10. Spring
- 11. Non-return Valve
- 12. Collar
- 13. Circlip
- 14. Cylinder Base

- 1. Spring
- 2. Outer Tube
- 3. Inner Tube
- 4. Piston
- 5. Piston Ring
- 6. Circlip
- 7. Cylinder
- 8. Spring
- 9. Spring Seat
- 10. Spring
- 11. Non-return Valve
- 12. Collar
- 13. Circlip
- 14. Cylinder Base