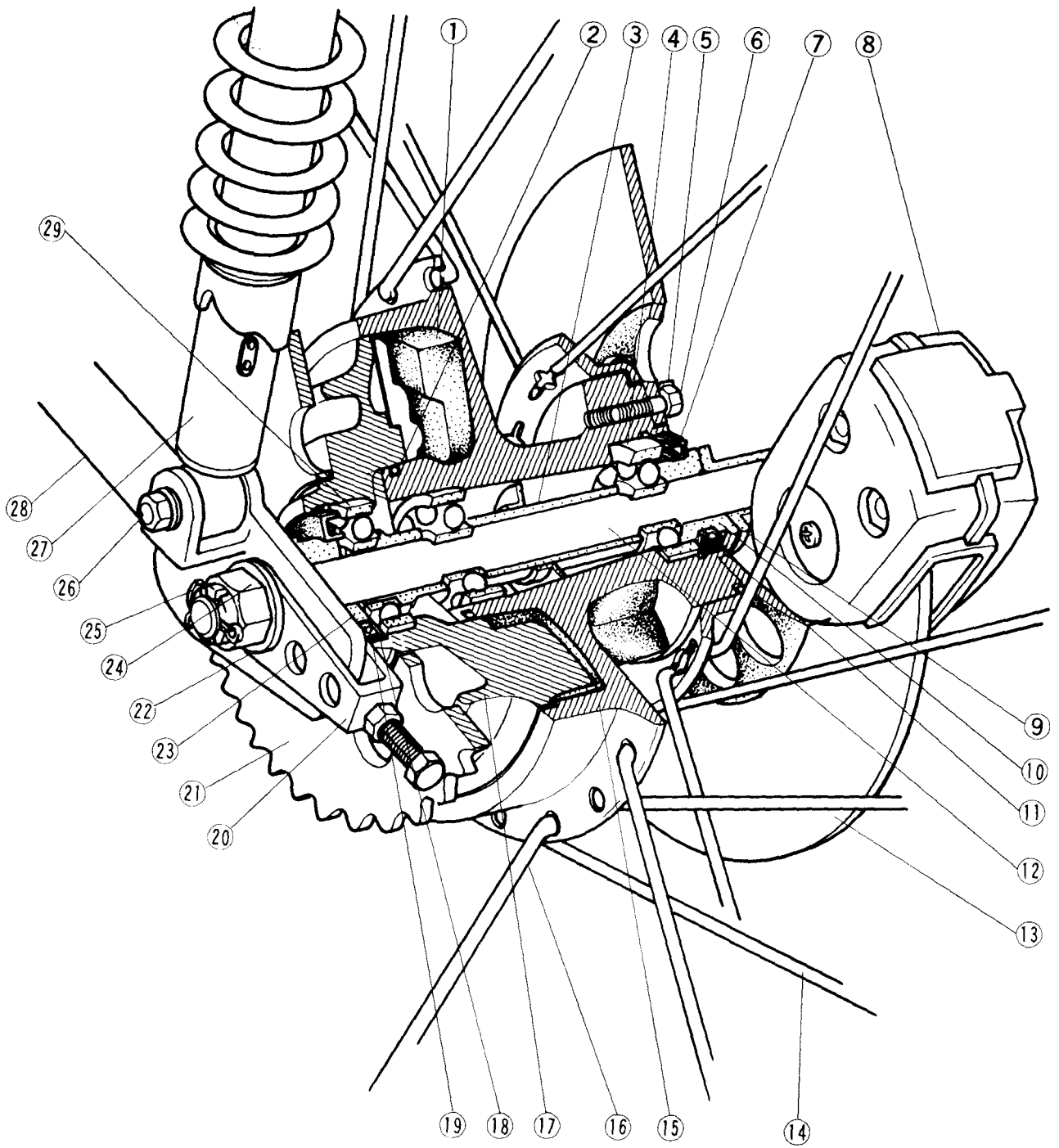


152 MAINTENANCE

Rear Wheel



1. Rubber Damper
2. O Ring
3. Distance Collar
4. Ball Bearing
5. Double Washer
6. Disc Mounting Bolt
7. Grease Seal
8. Caliper Assembly
9. Rear Caliper Holder Sleeve
10. Collar

11. Circlip
12. Rear Axle
13. Disc
14. Inner Spoke
15. Rear Hub
16. Outer Spoke
17. Wheel Coupling
18. Circlip
19. Grease Seal
20. Chain Adjuster

21. Rear Sprocket
22. Washer
23. Coupling Collar
24. Axle Nut
25. Cotter Pin
26. Rear Shock Absorber
Mounting Nut
27. Rear Shock Absorber
28. Swing Arm
29. Ball Bearing