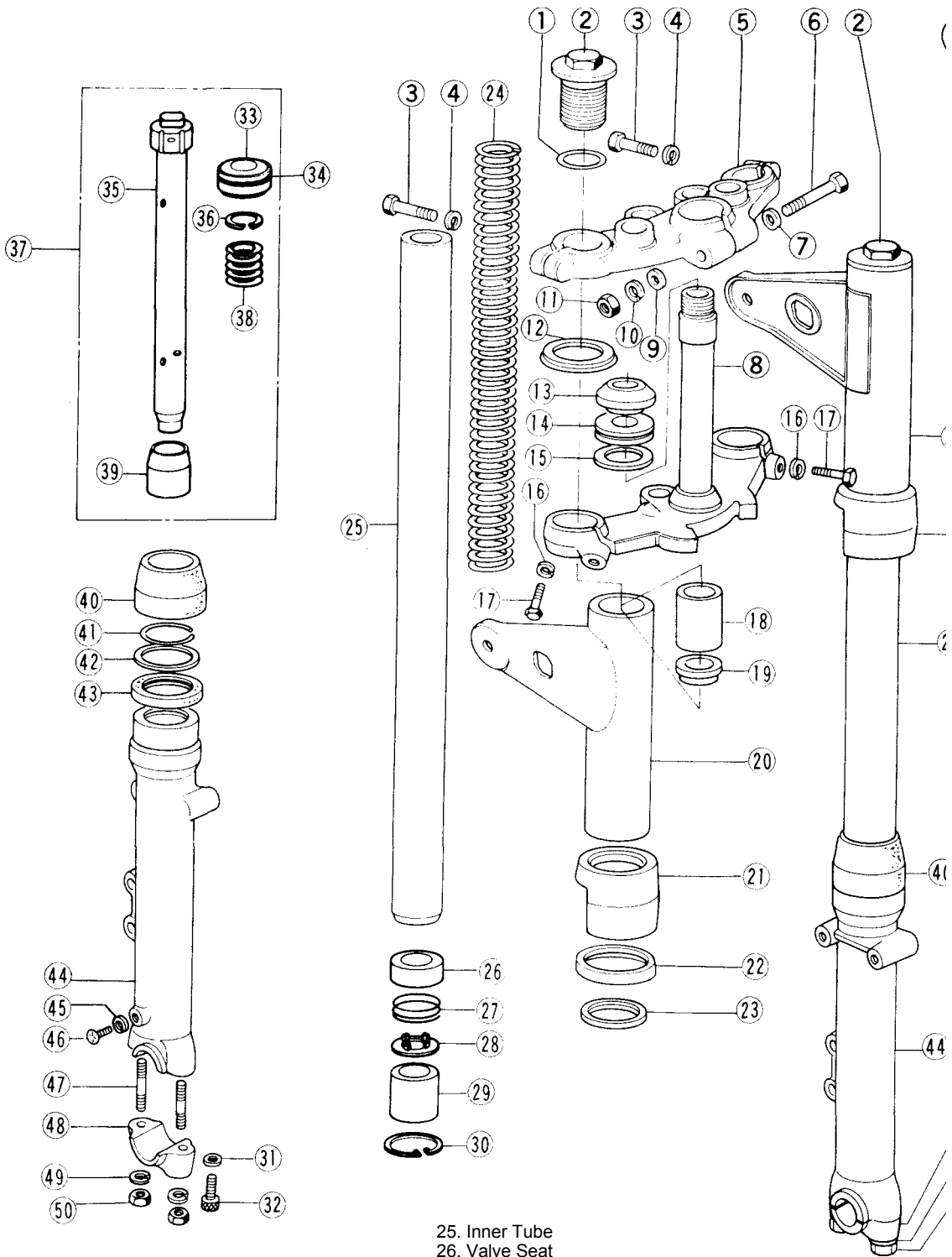


Front Fork



- 1. O Ring
- 2. Top Bolt
- 3. Clamp Bolt
- 4. Lock Washer
- 5. Stem Head
- 6. Clamp Bolt
- 7. Flat Washer
- 8. Steering Stem
- 9. Flat Washer
- 10. Lock Washer
- 11. Nut
- 12. Ring

- 13. Lower Inner Race
- 14. Grease Seal
- 15. Flat Washer
- 16. Lock Washer
- 17. Clamp Bolt
- 18. Spacer
- 19. Spring Seat
- 20. Fork Cover
- 21. Base Cover
- 22. Damper
- 23. Flat Washer
- 24. Spring

- 25. Inner Tube
- 26. Valve Seat
- 27. Valve Spring
- 28. Non-return Valve
- 29. Collar
- 30. Circlip
- 31. Gasket
- 32. Alien Bolt
- 33. Piston
- 34. Piston Ring
- 35. Cylinder
- 36. Circlip
- 37. Cylinder and Piston Unit
- 38. Spring

- 39. Cylinder Base
- 40. Dust Seal
- 41. Retainer
- 42. Washer
- 43. Oil Seal
- 44. Outer Tube
- 45. Gasket
- 46. Drain Screw
- 47. Stud
- 48. Axle Clamp
- 49. Lock Washer
- 50. Clamp Nut