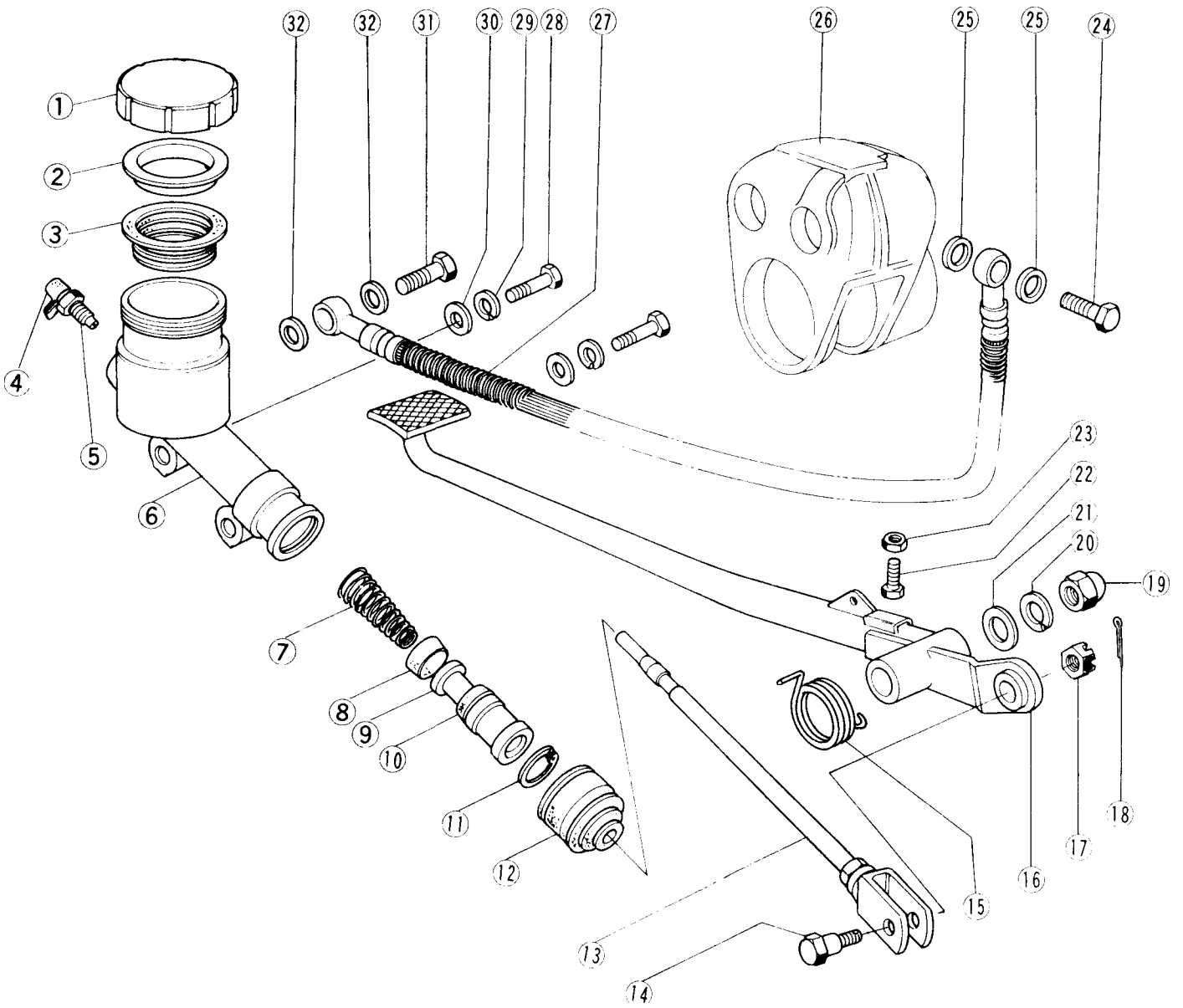


92 DISASSEMBLY

Rear Master Cylinder



1. Cap
2. Ring Plate
3. Diaphragm
4. Bleed Valve Cap
5. Bleed Valve
6. Master Cylinder Body
7. Return Spring
8. Primary Cup

9. Piston
10. Secondary Cup
11. Circlip
12. Dust Cover
13. Push Rod
14. Pivot Bolt
15. Return Spring
16. Brake Pedal

17. Nut
18. Cotter Pin
19. Cap Nut
20. Lock Washer
21. Flat Washer
22. Adjusting Bolt
23. Locknut
24. Banjo Bolt

25. Flat Washer
26. Caliper Body
27. Brake Hose
28. Mounting Bolt
29. Lock Washer
30. Flat Washer
31. Banjo Bolt
32. Flat Washer

^