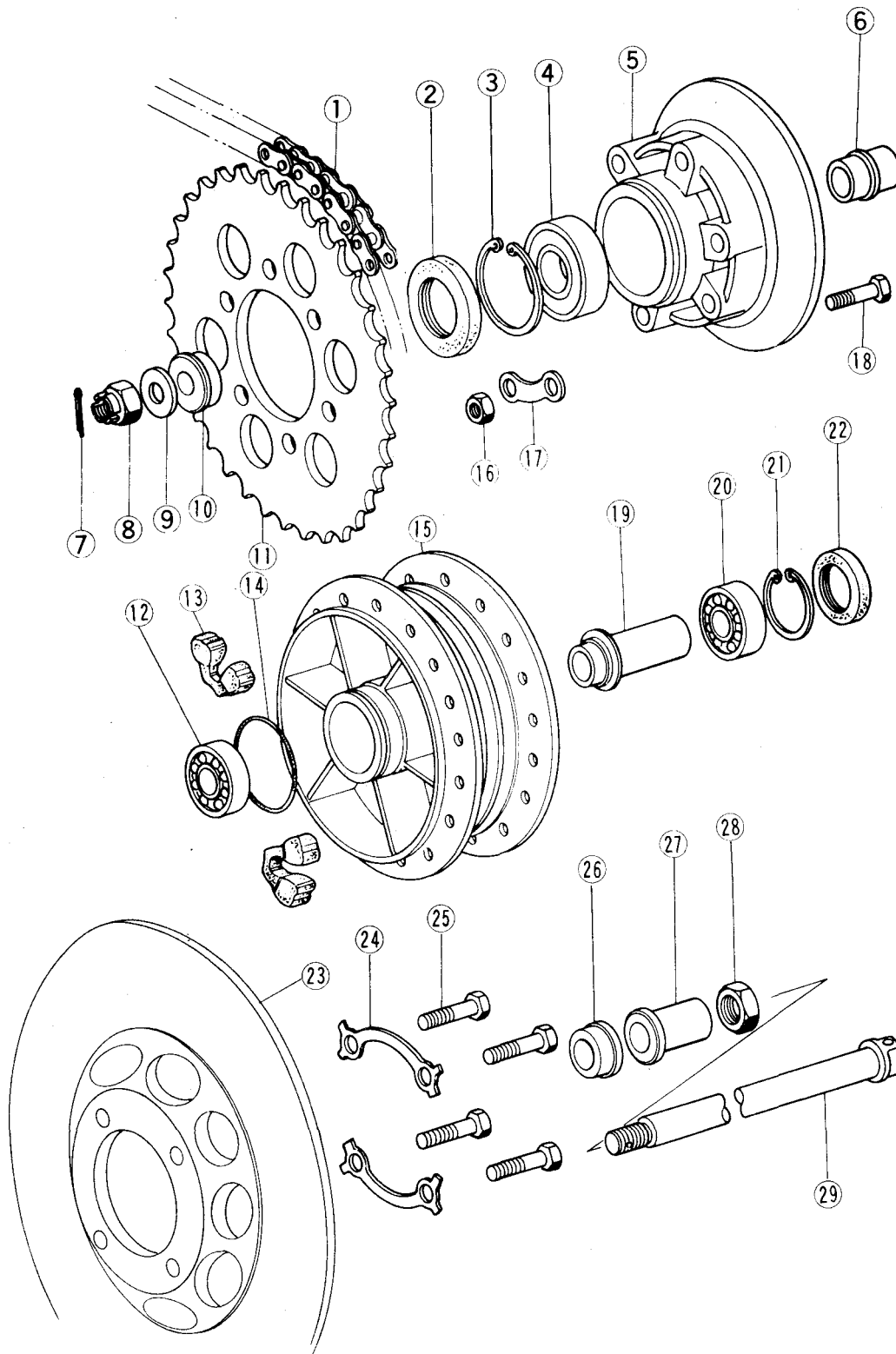


Rear Hub



- | | | | |
|--------------------|---------------------|---------------------|---------------------------|
| 1. Drive Chain | 9. Washer | 17. Double Washer | 25. Bolt |
| 2. Grease Seal | 10. Coupling Collar | 18. Bolt | 26. Collar |
| 3. Circlip | 11. Rear Sprocket | 19. Distance Collar | 27. Caliper Holder Sleeve |
| 4. Ball Bearing | 12. Ball Bearing | 20. Ball Bearing | 28. Sleeve Nut |
| 5. Wheel Coupling | 13. Rubber Damper | 21. Circlip | 29. Axle |
| 6. Coupling Sleeve | 14. ORing | 22. Grease Seal | |
| 7. Cotter Pin | 15. Rear Hub | 23. Disc | |
| 8. Axle Nut | 16. Sprocket Nut | 24. Double Washer | |