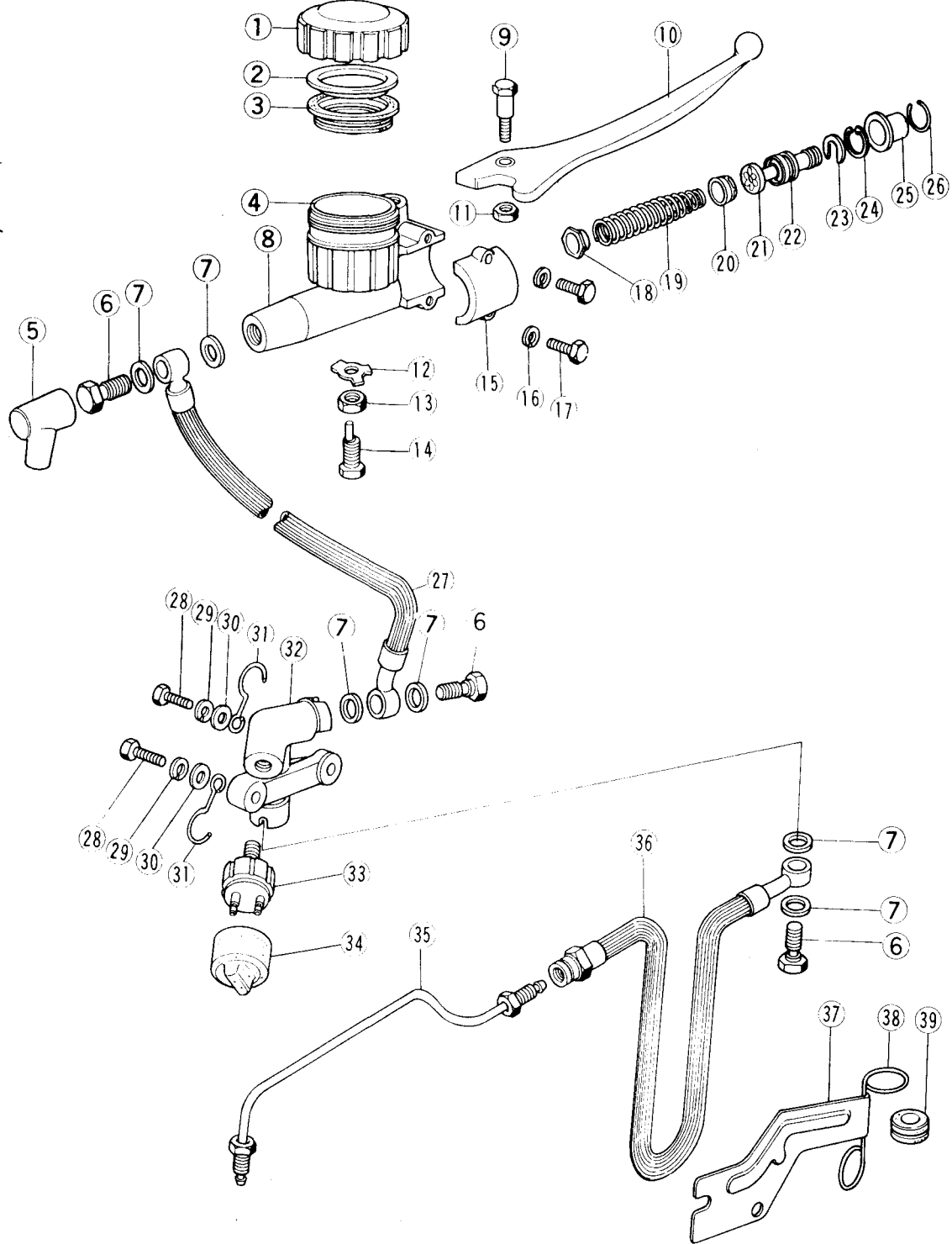


Front Master Cylinder



- | | | | |
|-------------------------|--------------------|-----------------------|------------------------|
| 1. Cap | 11. Nut | 21. Piston | 33. |
| 2. Ring Plate | 12. Lock Washer | 22. Secondary Cup | 34. |
| 3. Diaphragm | 13. Nut | 23. Stopper | 35. |
| 4. Reservoir | 14. Adjusting Bolt | 24. Retaining Ring | 36. |
| 5. Dust Cover | 15. Clamp | 25. Dust Seal | |
| 6. Banjo Bolt | 16. Lock Washer | 26. Dust Seal Stopper | 31. Cable Guide |
| 7. Flat Washer | 17. Bolt | 27. Upper Brake Hose | 32. 3-way Joint |
| 8. Master Cylinder Body | 18. Check Valve | 28. Bolt | 33. Brake Light Switch |
| 9. Bolt | 19. Spring | 29. Lock Washer | 34. Dust Cover |
| 10. Brake Lever | 20. Primary Cup | 30. Flat Washer | 35. Brake Pipe |
| | | | 36. Lower Brake Hose |
| | | | 37. Guide Holder Plate |
| | | | 38. Cable Guide |
| | | | 39. Grommet |