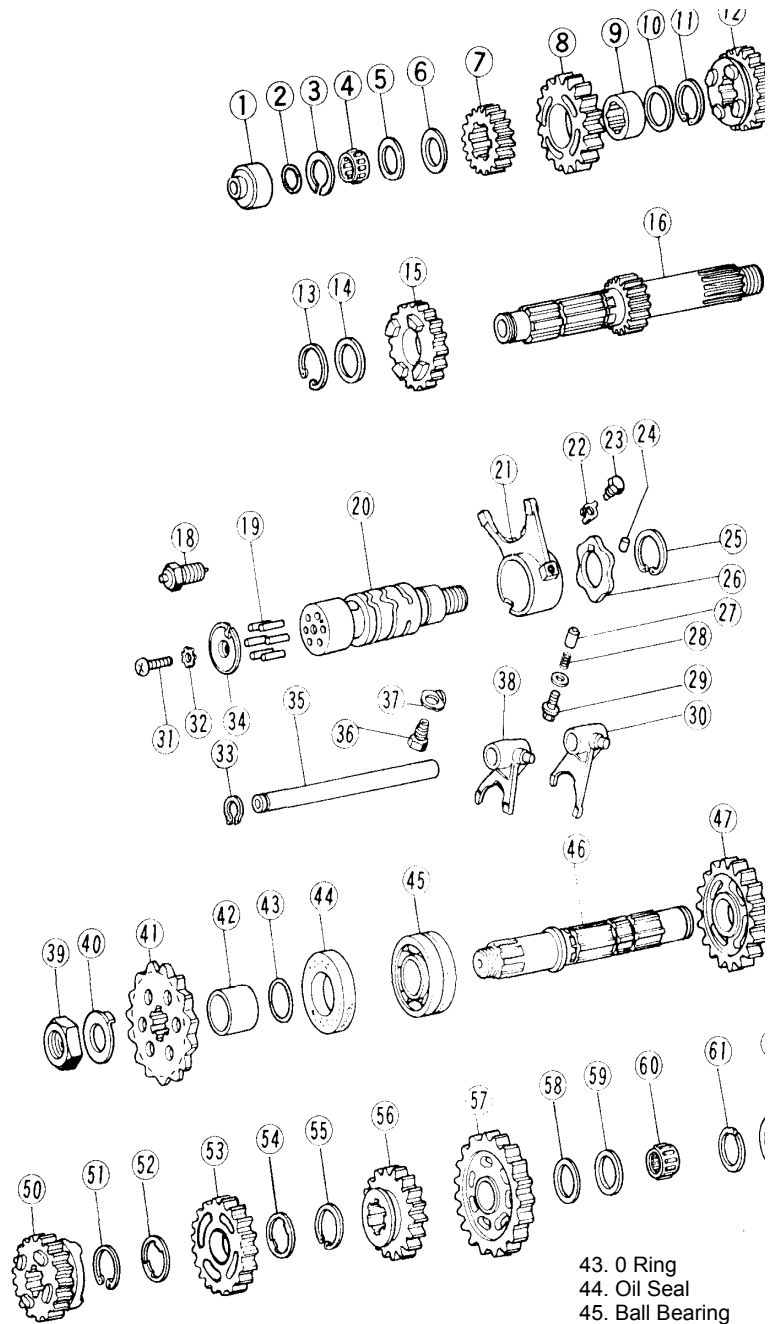


70 DISASSEMBLY

Shift Drum, Output,
Drive Shaft



- 1. Needle Bearing Outer Race
- 2. O Ring
- 3. Circlip
- 4. Needle Bearing
- 5. Steel Washer
- 6. Copper Washer
- 7. 2nd Gear (D)
- 8. 5th Gear (D)
- 9. Copper Bushing
- 10. Washer
- 11. Circlip

- 12. 3rd Gear (D)
- 13. Circlip
- 14. Washer
- 15. 4th Gear (D)
- 16. Drive Shaft
- 17. Ball Bearing
- 18. Neutral Indicator Switch
- 19. Shift Drum Pin
- 20. Shift Drum
- 21. 3rd Gear Shift Fork
- 22. Washer
- 23. Shift Fork Guide Bolt
- 24. Operating Plate Pin

- 25. Circlip
- 26. Operating Plate
- 27. Positioning Pin
- 28. Spring
- 29. Positioning Bolt
- 30. 4th Gear Shift Fork
- 31. Screw
- 32. Lock Washer
- 33. Circlip
- 34. Shift Drum Pin Plate
- 35. Shift Rod
- 36. Shift Drum Guide Bolt
- 37. Washer
- 38. 5th Gear Shift Fork
- 39. Nut
- 40. Toothed Washer
- 41. Engine Sprocket
- 42. Collar

- 43. O Ring
- 44. Oil Seal
- 45. Ball Bearing
- 46. Output Shaft
- 47. 2nd Gear (O)
- 48. Splined Washer
- 49. Circlip
- 50. 5th Gear (O)
- 51. Circlip
- 52. Splined Washer
- 53. 3rd Gear (O)
- 54. Splined Washer
- 55. Circlip
- 56. 4th Gear (O)
- 57. 1st Gear (O)
- 58. Copper Washer
- 59. Steel Washer
- 60. Needle Bearing
- 61. Circlip
- 62. Needle Bearing Outer Race